



PS SERIES

SINGLE STAGE DOUBLE SUCTION
SPLIT CASING CENTRIFUGAL PUMP





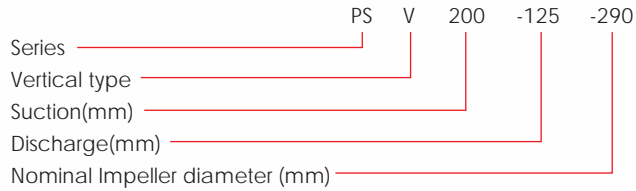
APPLICATIONS

Waterworks, Irrigation, Air-Conditioning Systems, Drainage pumping stations, Power stations, Industrial water supply systems & Fire fighting applications in refineries.

OPERATING DATA

Discharge Diameter	80 ~ 600mm
Max Capacity	2000l/s
Max Head	170m
Max Pressure	16 Bar Standard, 25 Bar on Request
Max Temperature	105°C

MODEL CODE



PUMP CASING

The casing is axially split, which permits removal of the complete rotor without disturbing either piping or the motor.

Pumps generating high heads have double volutes to reduce radial forces, ensuring minimal shaft deflection and low bearing loads.

Replaceable wear rings protect the casing at the impeller running clearances. High head pumps are also fitted with replaceable impeller wear rings.

Flanges drilled to DIN PN10 with options for flanges drilled to ISO, BS or ANSI standards.

IMPELLER

The closed impellers have double curved vanes. The double suction design gives practically zero axial forces. Each impeller is statically and dynamically balanced according to ISO 1940.

BEARINGS

Both sides are grease lubricated deep groove ball bearings, sealed for life. Oil lubrication are also available as optional.

SHAFT SEAL

Uncooled soft-packed stuffing box or uncooled single acting. Unbalanced mechanical seal. According to DIN 24960, independent of direction of rotation.

Optional : Balanced mechanical seal available for operating pressure higher than 16 bar.

MATERIALS

	Standard Bronze Fitted	Standard Cast Iron Fitted	Stainless Steel Construction
Casing	Cast Iron	Cast Iron	304/316 SS
Impeller	Bronze	Cast Iron	304/316 SS
Shaft	420 SS	420 SS	304/316 SS
Shaft Seal	Single Unloaded Mech Seal		

PUMP CASING, CASING COVER

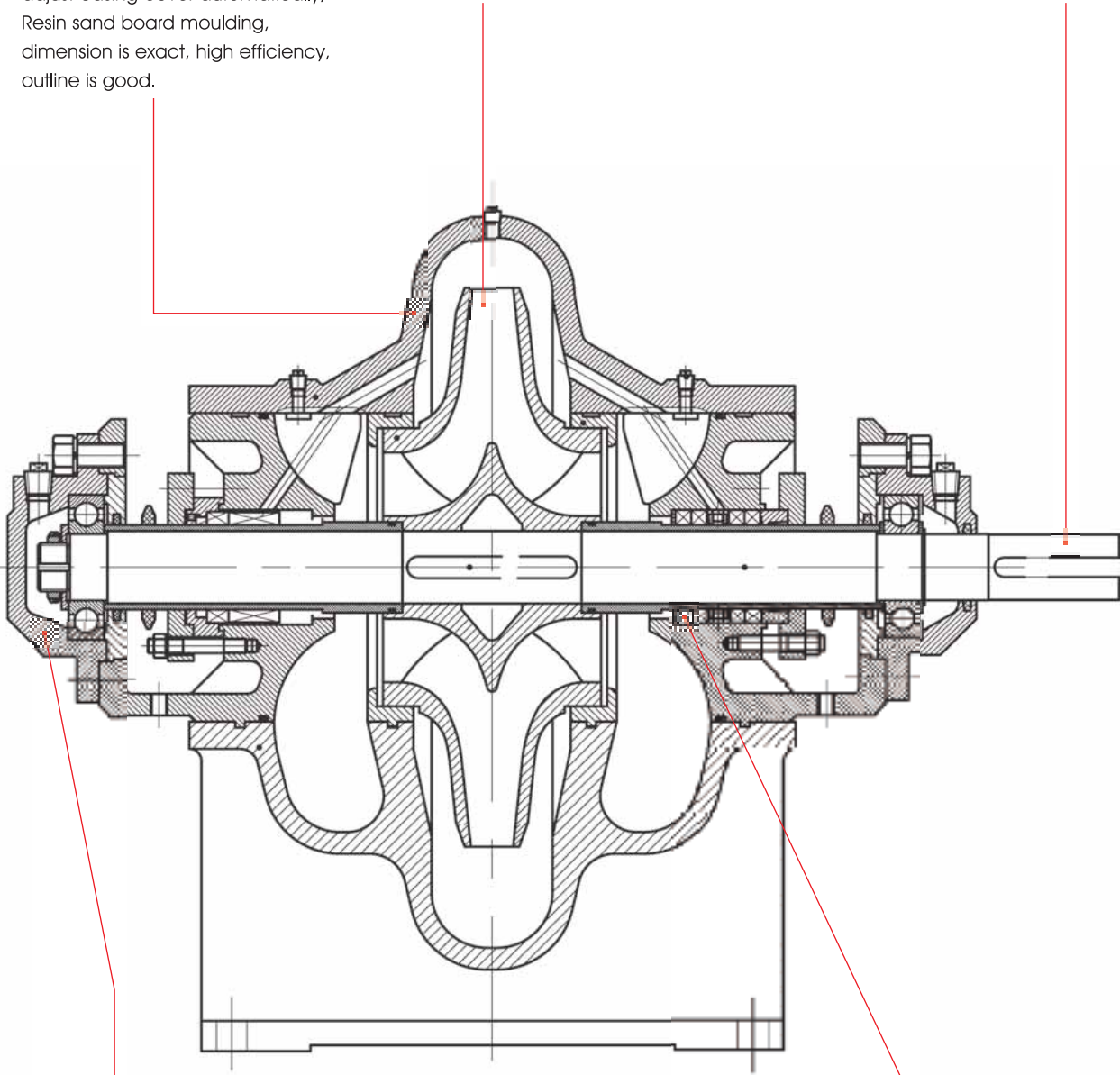
Linearity designed and attached with strengthening rib, appearance is fine; Supporting distance between two ends is short, and its shaft is also short; Most part of casing adopts double-passage design, high efficiency; Can adjust casing cover automatically; Resin sand board moulding, dimension is exact, high efficiency, outline is good.

IMPELLER

Resin sand board moulding, dimension is accurate, high efficiency; Serial efficiency is 3-5% higher than common double-suction pump; It is dynamically balanced, operation is even, low noise.

SHAFT

Shorten the shaft distance between bearings to lengthen the life of bearing and mechanical seals; Fully sealed, don't contact to medium, no erosion; Needn't adjust when assemble; Serial design, high interchangeability.

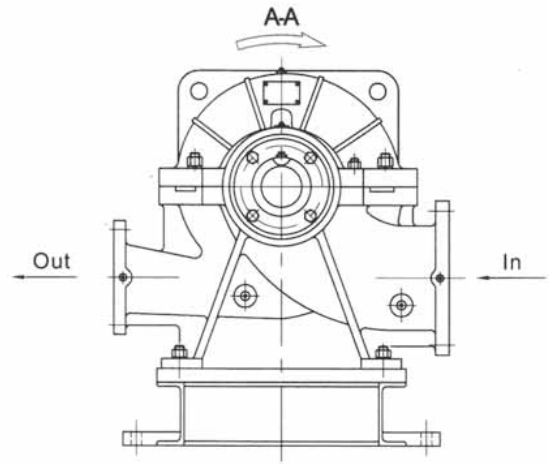


BEARING HOUSING AND BEARING

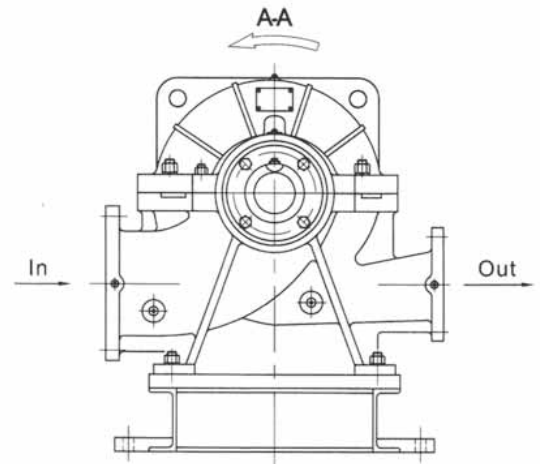
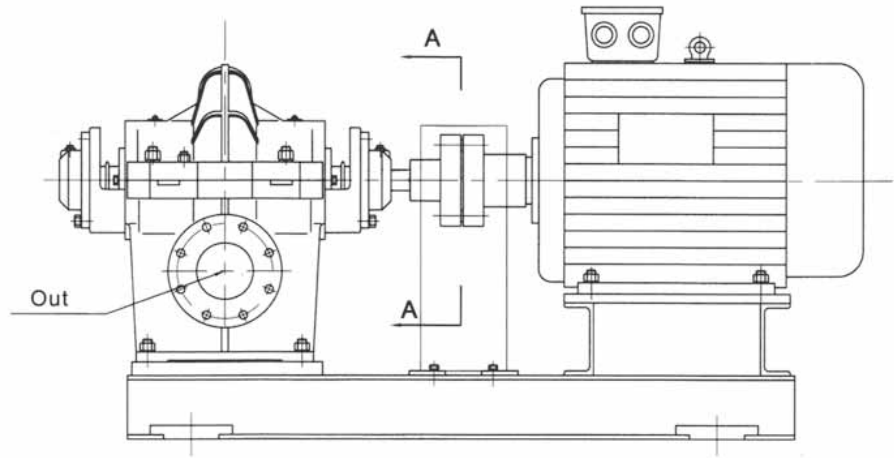
Dismantling is convenient, has enough space to maintain and repair; Casing, casing cover, seal chamber and bearing body are of integrated mass, good appearance.

SEALING SYSTEM

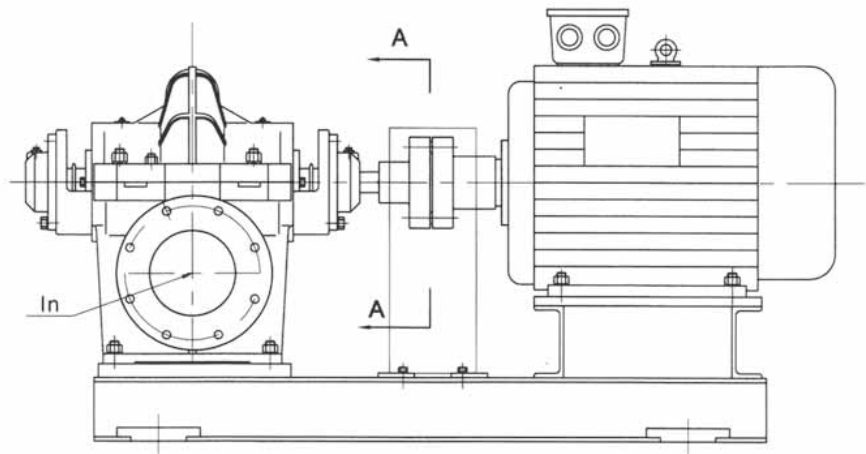
Inside seal, the lubrication and flushing of seal system by closed circulating water are more direct, efficient; Inside seal and lubrication structure makes the whole frame of pump to be an integrated mass.



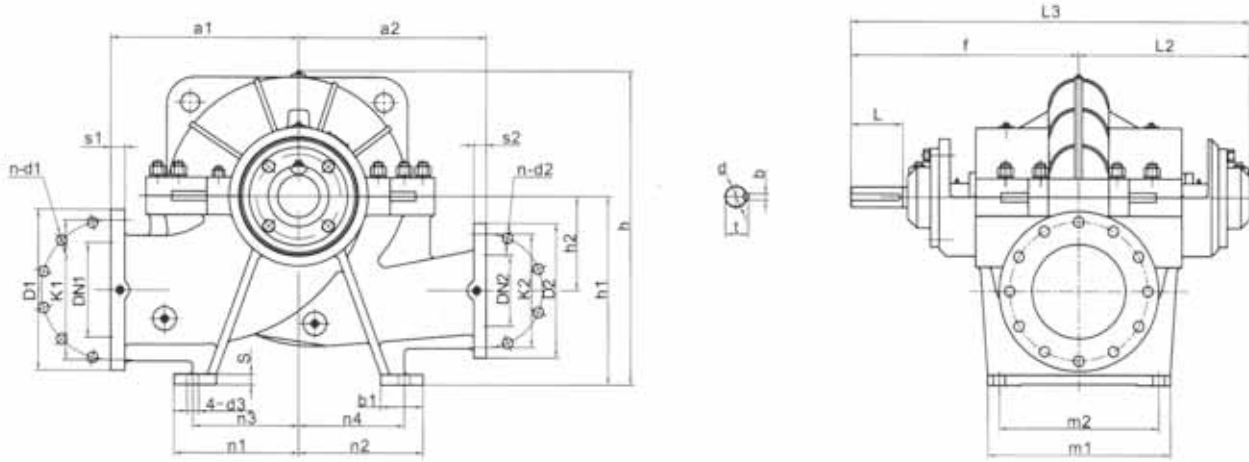
ROTATION STANDARD TYPE
Clockwise viewing from the drive side



SPECIAL TYPE
Counter-clockwise viewing from the drive side



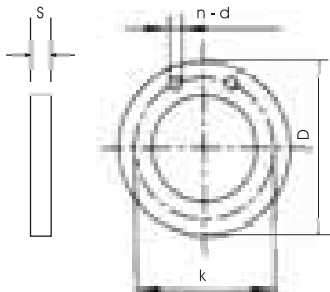
ES OUTLINE DRAWING & INSTALLING DIMENSIONS



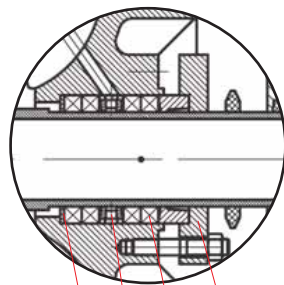
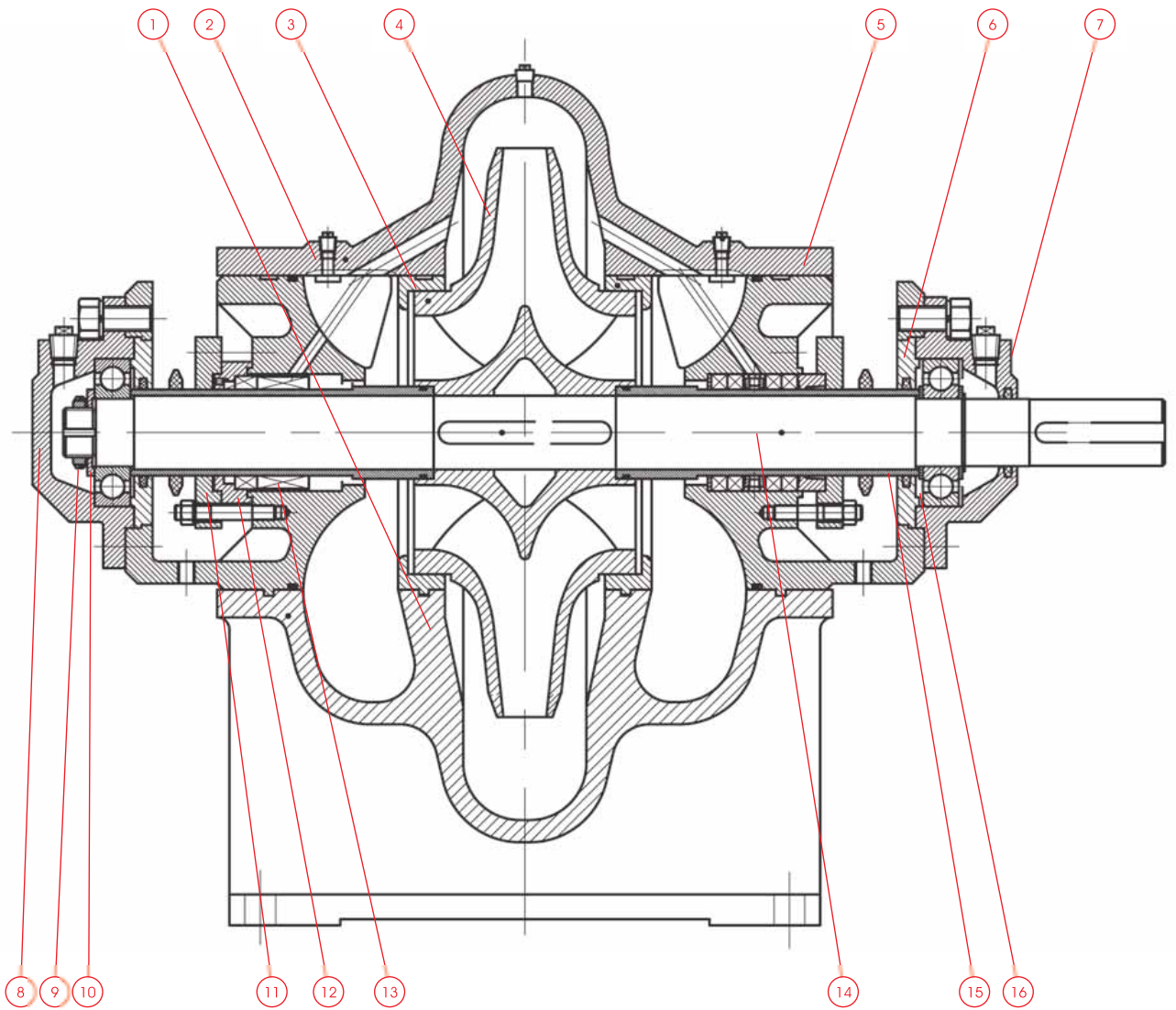
PUMP DIMENSION

PUMP MODEL	Flange		a1	a2	f	L2	L3	h	h1	h2	m1	m2	n1	n2	n3	n4	b1	d3	s	d	b	l		
	DN1	DN2																						
PS 125 x 80 - 210	125	80	300	300				480																
PS 125 x 80 - 270								505															315	140
PS 125 x 80 - 370								540																
PS 150 x 100 - 290	150	100	330	330	385	300	685	545																
PS 150 x 100 - 310								585															355	170
PS 150 x 100 - 375								610																
PS 200 x 125 - 230	200	125	370	370				620																
PS 200 x 125 - 290								635																
PS 200 x 125 - 345								660																
PS 200 x 125 - 500								715															400	200
PS 200 x 150 - 290								655																
PS 200 x 150 - 340								670																
PS 200 x 150 - 440	710																							
PS 200 x 150 - 490	785																							
PS 250 x 200 - 290	250	200	450	450	520	400	820	780	500	240	480	430												
PS 250 x 200 - 330								800																
PS 250 x 200 - 430								820																
PS 250 x 200 - 520								920															560	300
PS 250 x 200 - 670								950															350	500
PS 300 x 250 - 280								940																
PS 300 x 250 - 370	945	600	300																					
PS 300 x 250 - 480	950																							
PS 300 x 250 - 600	1050	630	350																					
PS 350 x 300 - 300	350	300	550	500	614	464	1078	1000	630	300	500	400												
PS 400 x 300 - 435								1050															670	350
PS 400 x 300 - 540								1135															710	600
PS 400 x 300 - 700								1235															750	400
PS 400 x 350 - 305								1060																
PS 400 x 350 - 360								1090															670	350
PS 450 x 350 - 430	1165																							
PS 400 x 350 - 510	1185	750																						
PS 450 x 350 - 660	1255	780	400																					
PS 500 x 400 - 410	500	400	700	550	840	655	1495	1205	800		750	650												
PS 500 x 400 - 460								1225																
PS 500 x 400 - 520								1250															765	585
PS 500 x 400 - 680								1350															800	450
PS 600 x 300 - 510								1380															900	700
PS 600 x 300 - 640								1390															850	720
PS 600 x 500 - 640	1495	950	780																					
PS 600 x 500 - 700	1500	900	800																					
PS 600 x 600 - 790	600	500	1000	850	935	710	1645	1630	1050	550	790	660	720	720	660	660								
PS 600 x 600 - 890								1760															1100	600
PS 700 x 600 - 840								1855															1150	650
PS 700 x 600 - 920								1888															1100	600
PS 700 x 600 - 1020								1855															1150	650
PS 700 x 600 - 1110								1985															1150	650
PS 700 x 600 - 1210	1710	1050	545																					
PS 700 x 600 - 1310	1850	1150	650																					

Outline & Installing Dimension

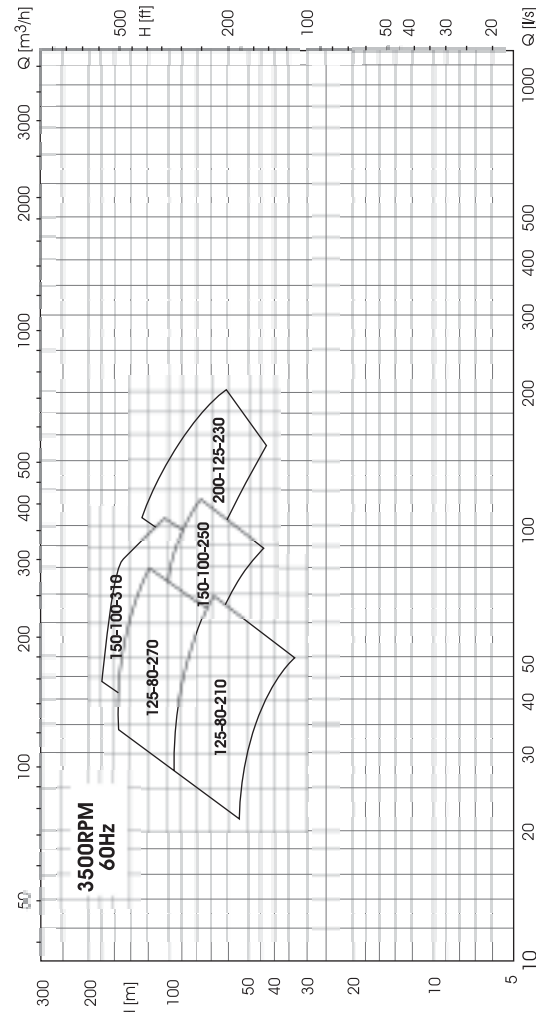
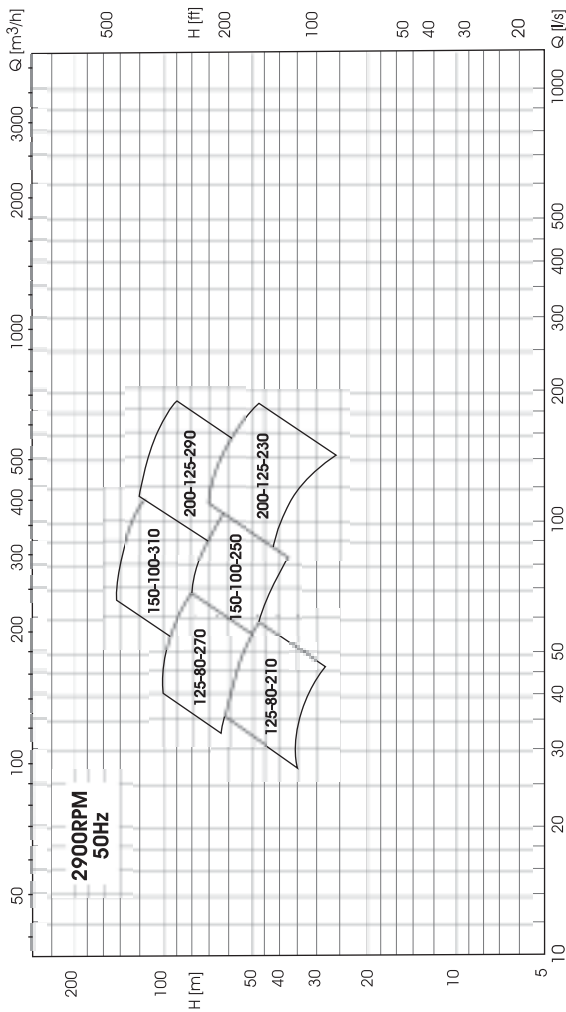
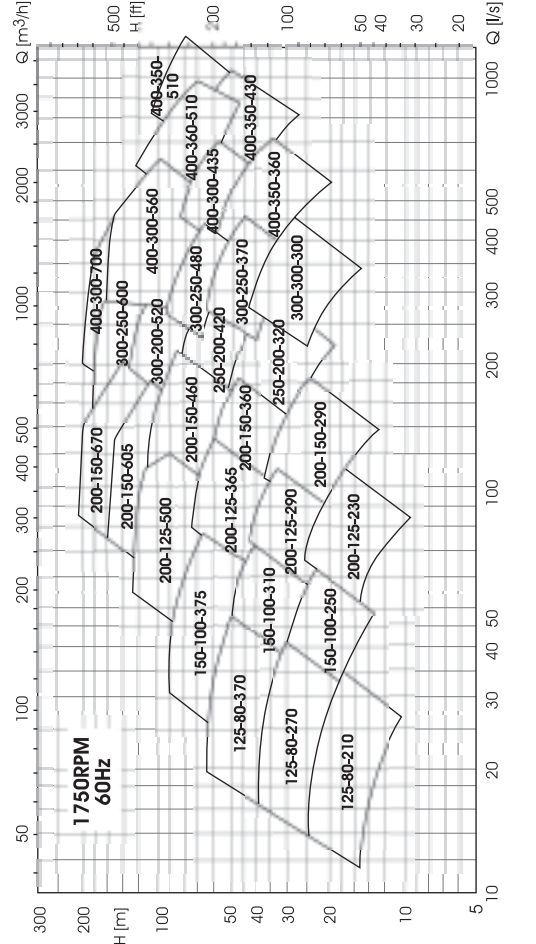
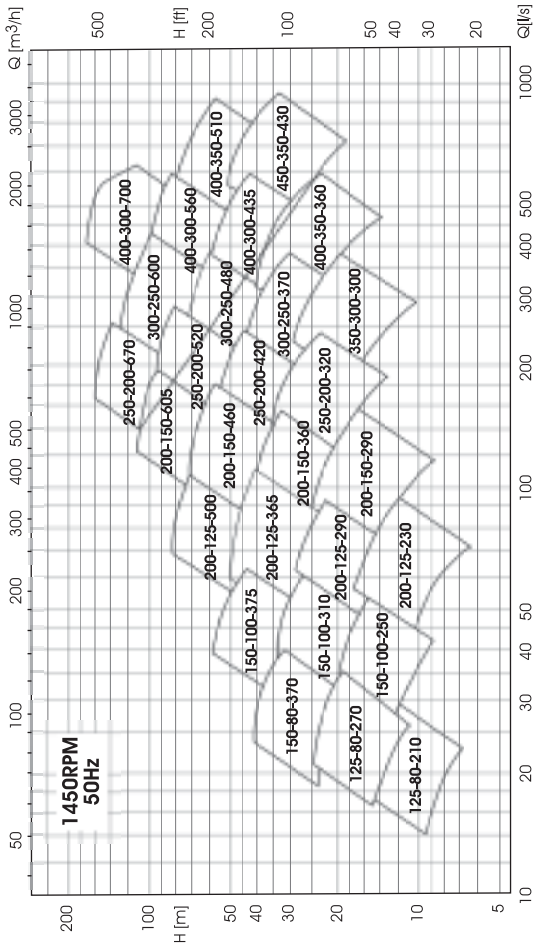


STANDARD	DN 80	DN 100	DN 125	DN 150	DN 200	DN 250	DN 300	DN 350	DN 400	DN 500	DN 600	DN 700
K	160	180	210	240	295	355	410	470	525	650	770	840
D	200	220	250	285	340	405	460	520	580	715	840	910
S	22	24	26	26	30	32	34	38	40	46	54	54
n-d	8 x 17.5	8 x 17.5	8 x 17.5	8 x 22	12 x 22	12 x 26	12 x 26	16 x 26	16 x 30	20 x 33	20 x 36	24 x 36



NO. SPARE PART

1. Casing
2. Casing Cover
3. Wear Ring
4. Impeller
5. Seal Housing
6. Bearing Cover
7. Drive End Bearing Housing
8. Non-drive End Bearing Housing
9. Lock Nut
10. Bearing Baffle
11. Seal Plate
12. Seal Cover
13. Mechanical Seal
14. Shaft
15. Shaft Sleeve
16. Bearing Pressing Ring
17. Packing Pressing Ring
18. Seal Cage
19. Gland Packing
20. Gland Cover





Authorized Distributor :

PT. Pilar Teknindo Jaya

Jl. Karang Bolong Raya No. 12 / 1-2
Ancol Barat, Jakarta 14430
Indonesia

Phone : +6221 69831523 - 6

Fax : +6221 69831472

E-mail : Marketing@pilarteknindo.co.id